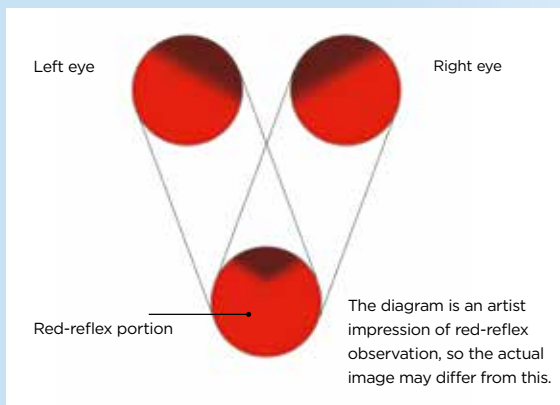


OVS-90

Operation Microscope



An innovative concept providing optimal observation and versatile operation



Stain-proof coated objective lens (F=200 mm)

The stain-proof coating is applied to help retain a clear viewing area. The focal length (F=200 mm) provides the standardized comfortable working distance.

OMS-90 Operation Microscope

Features

The following unique features are incorporated in the OMS-90 Operation Microscope

- | Coaxial illumination
- | Stain-proof coated objective lens
- | Parallel binocular tube
- | PD adjustment knob
- | Built in yellow filter
- | Compact base



Coaxial illumination

The designed illumination system of the OMS-90 assures the finest optical performance. The optical system has been fitted with an innovative design that allows the surgeon to view a sharper image, with more clarity than ever before.

The illumination system of the OMS-90 produces a superior red-reflex image for assistance in surgical procedures. As shown in the diagram, the innovative system design merges two improved field of views to produce an enhanced red-reflex and unparalleled image quality.

Parallel binocular tube

The parallel binocular tube provides a natural stereo-scopic view.

PD adjustment knob

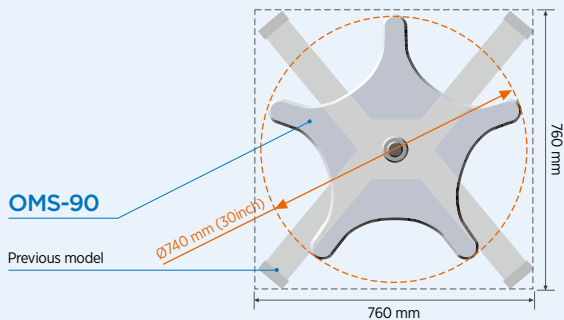
The built in PD adjustment feature offers easy alignment.

Features



Built in yellow filter

The flip in/out yellow filter is built into the system to allow full protection against retina phototoxicity.



Compact base

The sturdy and compact Ø740 mm (30 inch) base is designed for optimal use of limited operating room floor space.

Optional accessories



X-Y Translator

The X-Y translator adapter provides precise movement around the surgical field. A one touch recentering button is provided.



Assistant's microscope

The parallel binocular assistant's microscope provides easy positioning, a wide field of view and 30° of rotation.



Beam splitter (80/20 or 50/50)

An 80/20 or a 50/50 beam splitter is available for the attachment of documentation devices.

Accessory adapter model 2

The accessory adapter is required to attach the assistant's microscope and/or the oblique illuminator to the OMS-90.

Oblique illuminator

The oblique illuminator offers a supplemental light source for indirect illumination. The slit will rotate 30° and adjust from 0 to 20 mm in width.

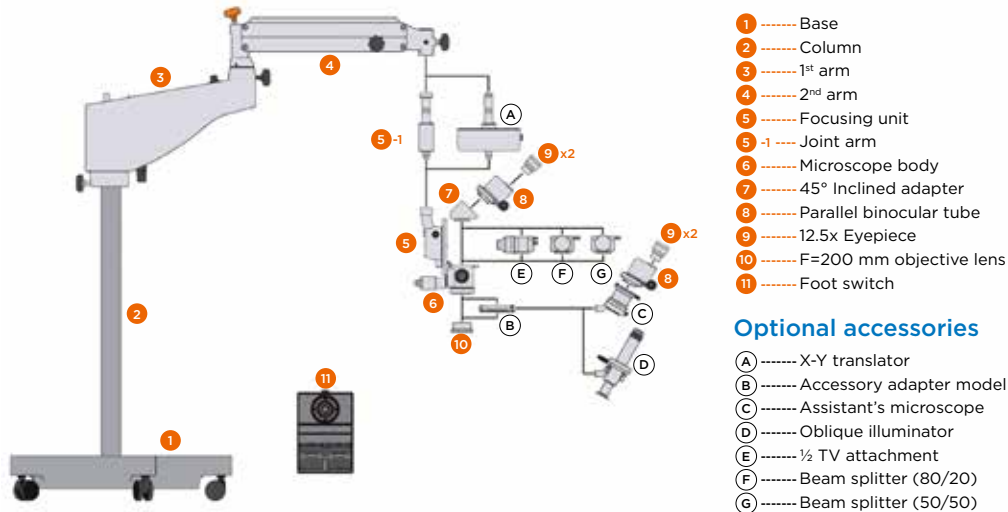
½ TV attachment

The ½ TV attachment incorporates a built in beam splitter and lets the user connect a ½ inch C-mount camera to the OMS-90.

Specifications

Table title	
Binocular tube	Parallel 45° inclined binocular tube
Objective lens	F=200 mm
Eyepieces	12.5x
Magnification change type	Drum type with 5 changes
Total magnification	3.4x, 5.3x, 8.5x, 13.6x, 21.2x
Field of view	Ø66.3 mm, Ø42.3 mm, Ø26.3 mm, Ø17.1 mm, Ø10.3 mm
X-Y Translator (option)	Range: ±25 mm
Light source	12V 100W halogen lamp (light guided system) (one touch changeable two lamps)
Filter	Built in: Heat-absorbing and UV cut filters. Flip-in/out: yellow filter
Length	1 st arm: 400 mm; 2 nd arm: 560 mm
Rotational angle	1 st arm: 360°; 2 nd arm: 300°
Base dimensions	Ø740 mm (30 inch)
Primary voltage	AC100-120V or AC220-240V
Power frequency	50/60Hz
Maximum power consumption	280VA 740 mm (30 inch)
Weight	97 kg

Standard accessories



Optional accessories

IMPORTANT Subject to change in design and/or specifications without advanced notice. In order to obtain the best results with this instrument, please be sure to review all user instructions prior to operation. Medical device Class I. Manufacturer: Topcon Corporation.



Topcon Europe Medical B.V.
 Essebaan 11; 2908 LJ Capelle a/d IJssel; P.O. Box 145;
 2900 AC Capelle a/d IJssel; The Netherlands
 Phone: +31-(0)10-4585077; Fax: +31-(0)10-4585045
 E-mail: medical@topcon.eu; www.topcon-medical.eu

Topcon España S.A.
 HEAD OFFICE; Frederic Mompou, 4;
 08960 Sant Just Desvern; Barcelona, Spain
 Phone: +34-93-4734057; Fax: +34-93-4733932
 E-mail: medica@topcon.es; www.topcon.es

Topcon Deutschland GmbH
 Hanns-Martin-Schleyer Strasse 41;
 D-47877 Willich, Germany
 Phone: (+49) 2154-885-0; Fax: (+49) 2154-885-177
 E-mail: info@topcon-medical.de; www.topcon-medical.de

Topcon Ireland
 Unit 276, Blanchardstown; Corporate Park 2
 Ballycoolin; Dublin 15, Ireland
 Phone: +353-18975900; Fax: +353-18293915
 E-mail: medical@topcon.ie; www.topcon.ie

Topcon Danmark
 Præstemarksvej 25, 4000 Roskilde, Denmark
 Phone: +45-46-327500; Fax: +45-46-327555
 E-mail: info@topcon.dk;
 www.topcon.dk

Topcon Italy
 Viale dell' Industria 60;
 20037 Paderno Dugnano, (MI) Italy
 Phone: +39-02-9186671; Fax: +39-02-91081091
 E-mail: info@topcon.it; www.topcon.it

Topcon Polska Sp. z o.o.
 ul. Warszawska 23, 42-470 Siewierz; Poland
 Phone: +44-(0)1635-551120; Fax: +44-(0)1635-551170
 www.topcon-polska.pl

Topcon Scandinavia A.B.
 Neogatán 2; P.O. Box 25; 43151 Mölndal, Sweden
 Phone: +46-(0)31-7109200; Fax: +46-(0)31-7109249
 E-mail: medical@topcon.se; www.topcon.se

Topcon France
 BAT A1; 3 route de la révolte, 93206 Saint Denis Cedex
 Phone: +33-(0)1-49212323; Fax: +33-(0)1-49212324
 E-mail: topcon@topcon.fr; www.topcon-medical.fr

Topcon Great Britain Ltd.
 Topcon House; Kennet Side; Bone Lane; Newbury
 Berkshire RG14 5PX; United Kingdom
 Phone: +44-(0)1635-551120; Fax: +44-(0)1635-551170
 E-mail: medical@topcon.co.uk; www.topcon.co.uk



TOPCON CORPORATION

75-1 Hasunuma-cho, Itabashi-ku, Tokyo 174-8580, Japan.
 Phone: 3-3558-2523/2522, Fax: 3-3960-4214, www.topcon.co.jp